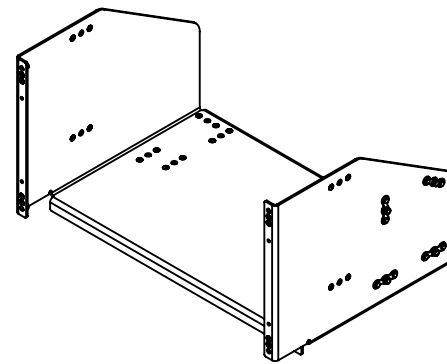
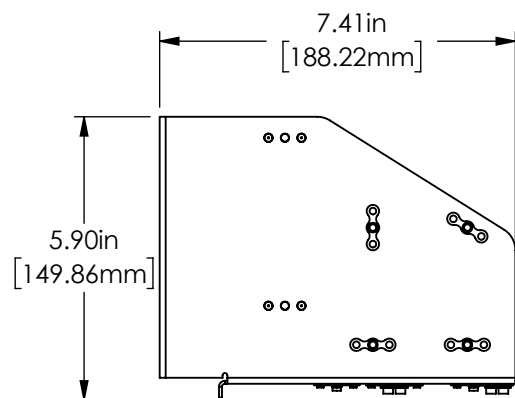
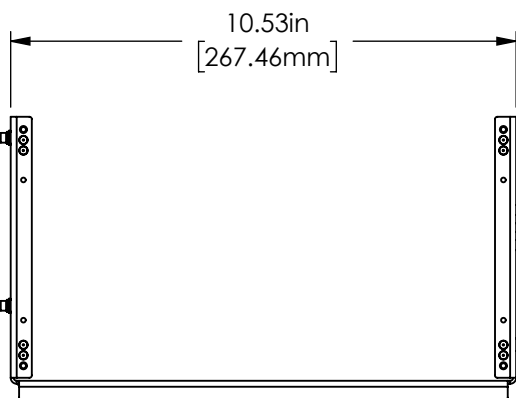


**NOTE:** Finishes may reduce effective size of panel cut-out. Make sure cut-out includes required margins for paint or other finishes applied to panel.

**Panel cut-out Detail**  
 SCALE 1:2  
 (DO NOT SCALE DRAWING)



**SkyView HDX**  
 SV-HDX1100  
 with Avionics Tray  
 Panel Cut-Out



19825 141st PI NE  
 Woodinville, WA 98072  
 425-402-0433  
[www.dynonavionics.com](http://www.dynonavionics.com)