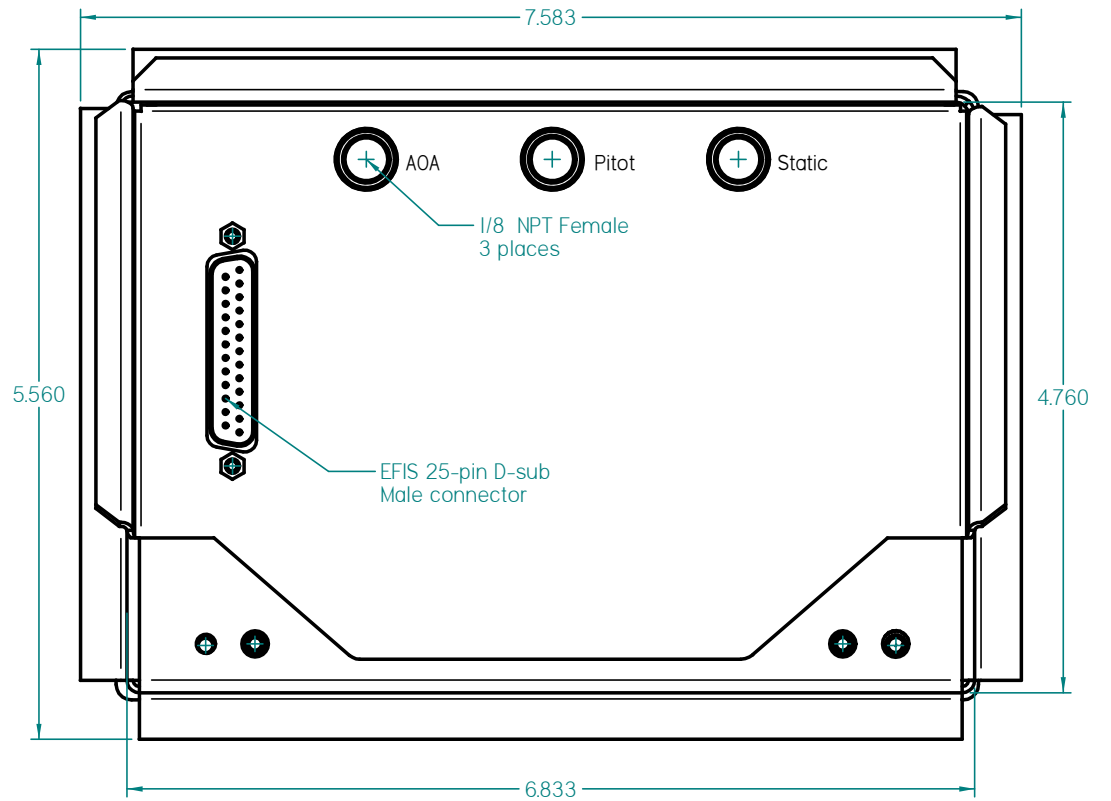
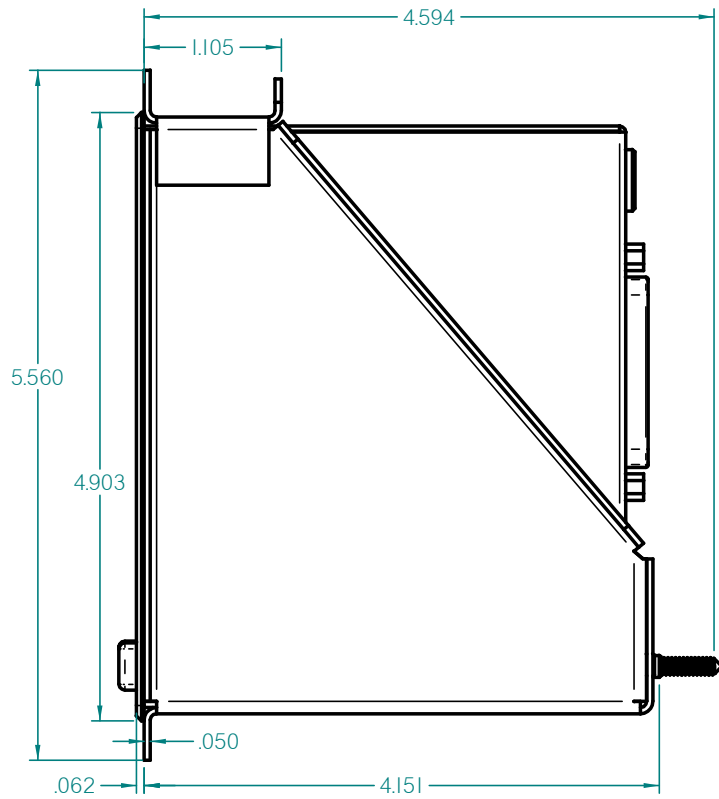

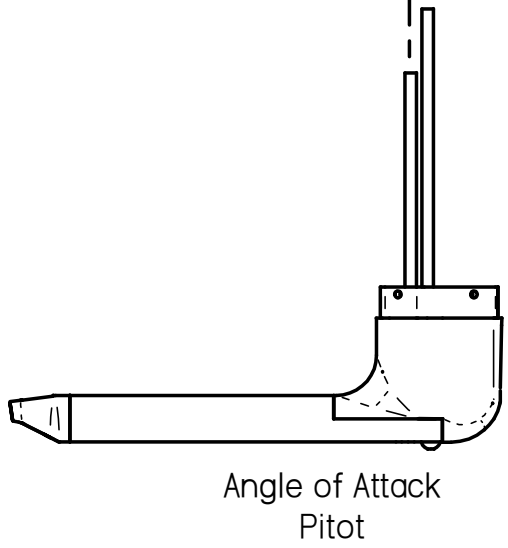
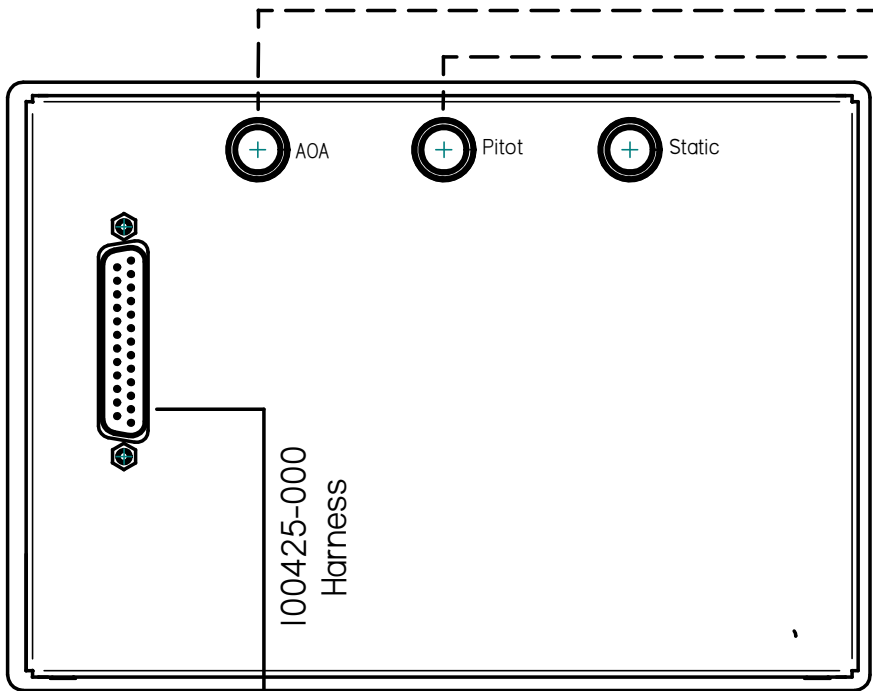

 DYNON AVIONICS	19825 141 <sup>st</sup> PL NE Woodinville WA 98072 (425)402-0834		
	EFIS-D100		
Color:	Date 03/28/06	material:	Rev. A
Appendix A pg. 1 of 4			

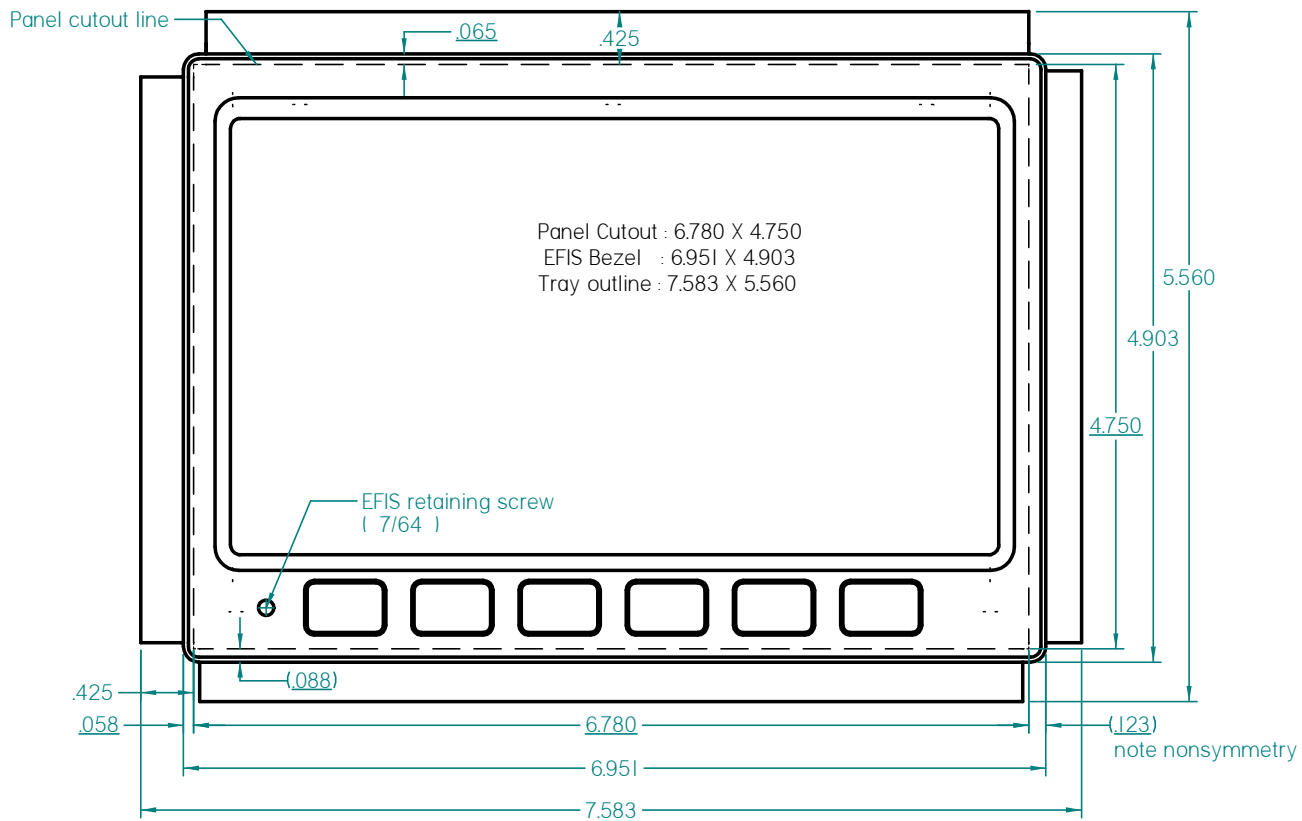



 <b>DYNON AVIONICS</b>	19825 141 <sup>st</sup> PL NE Woodinville WA 98072 (425)402-0834		
	<h2>EFIS-D100</h2>		
Color:	Date	material:	Rev.
Appendix A	03/28/06		A
pg. 2 of 4			



- Power
- Ground
- Clock Keep-Alive
- PC Serial interface
- Remote Compass
- Dynon Smart Avionics Bus
- Audio Output
- Altitude Encoder Output
- External Backup Power Input

 <b>DYNON AVIONICS</b>	19825 141 <sup>st</sup> PL NE Woodinville WA 98072 (425)402-0834		
	<h2>EFIS-D100</h2>		
Color:	Date	material:	Rev.
Appendix A	03/28/06		A
pg. 4 of 4			



 <b>DYNON AVIONICS</b>	19825 141 <sup>st</sup> PL NE Woodinville WA 98072 (425)402-0834		
	<h2>EFIS-D100</h2>		
Color:	Date	material:	Rev.
Appendix A	03/28/06		A
pg. 3 of 4			