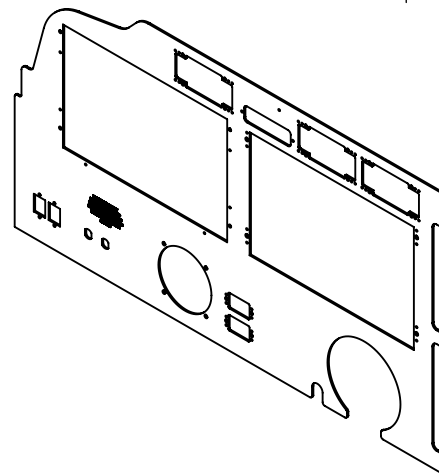


FOR REFERENCE ONLY  
 THIS PANEL WAS DESIGNED  
 FOR A PARTICULAR AIRCRAFT  
 DYNON CAN NOT GUARANTEE  
 FITMENT IN OTHER SIMILAR  
 AIRCRAFT

PANEL MADE FOR:  
 MODEL V35B (1974)  
 SERIAL # D-9634

IT IS THE RESPONSIBILITY  
 OF THE BUILDER TO ENSURE  
 THE CUT-OUT FEATURES INCLUDE  
 REQUIRED MARGINS NEEDED  
 FOR PAINT OR OTHER FINISHES  
 APPLIED TO THE PANEL.  
 FINISHES MAY REDUCE THE  
 EFFECTIVE SIZE OF THE CUT-OUT



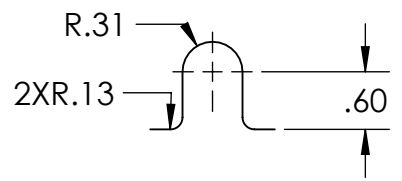
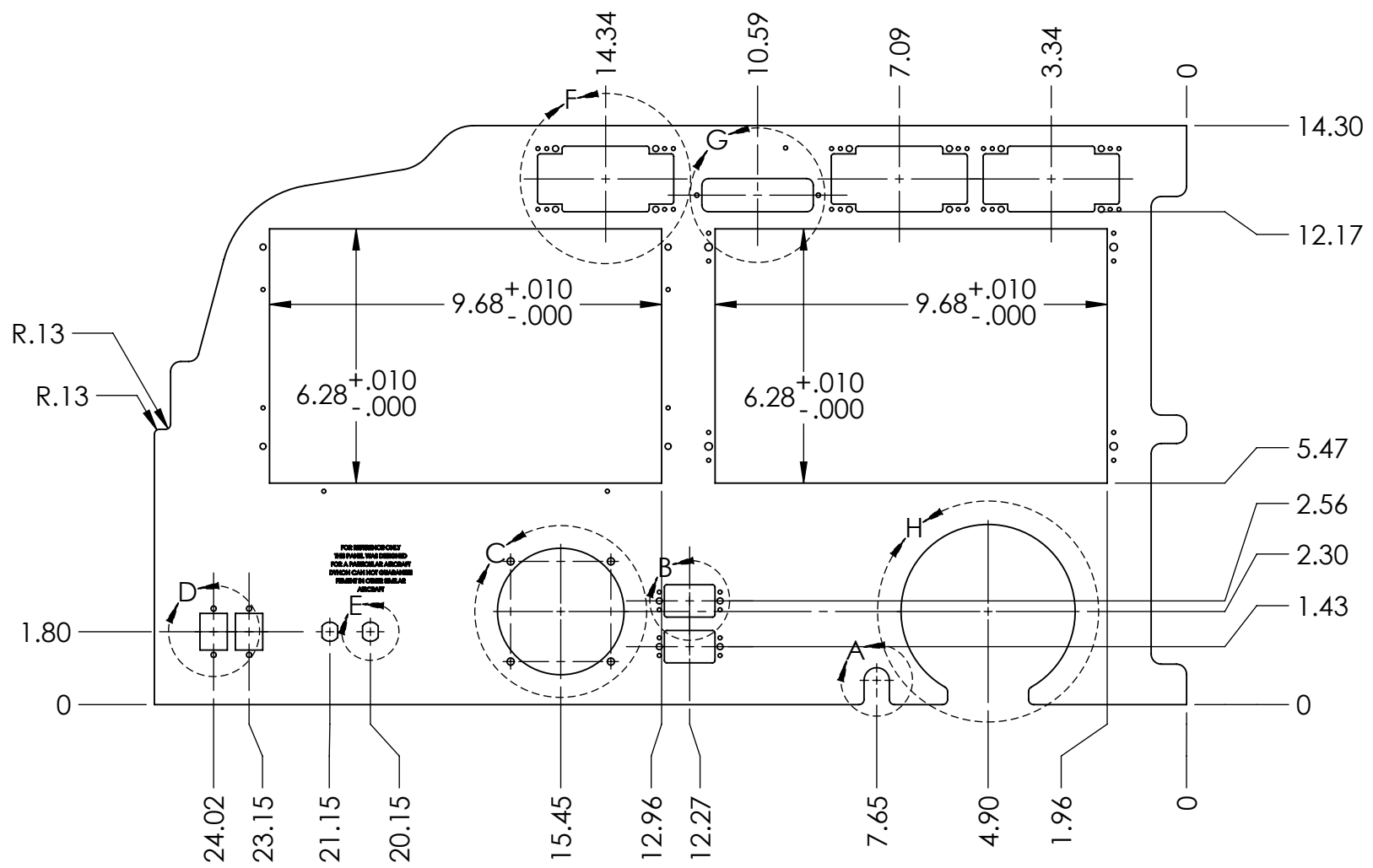
PANEL LH  
 BONANZA V35B  
 GENERIC



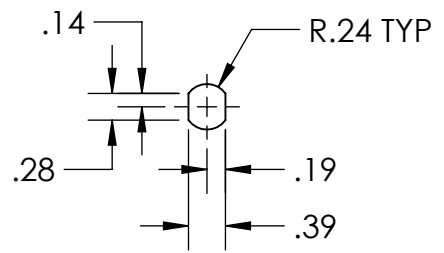
19825 141st PI NE  
 Woodinville, WA 98072  
 425-402-0433  
 www.dynonavionics.com

7/20/2020

7/20/2020



DETAIL A  
SCALE 1 : 2

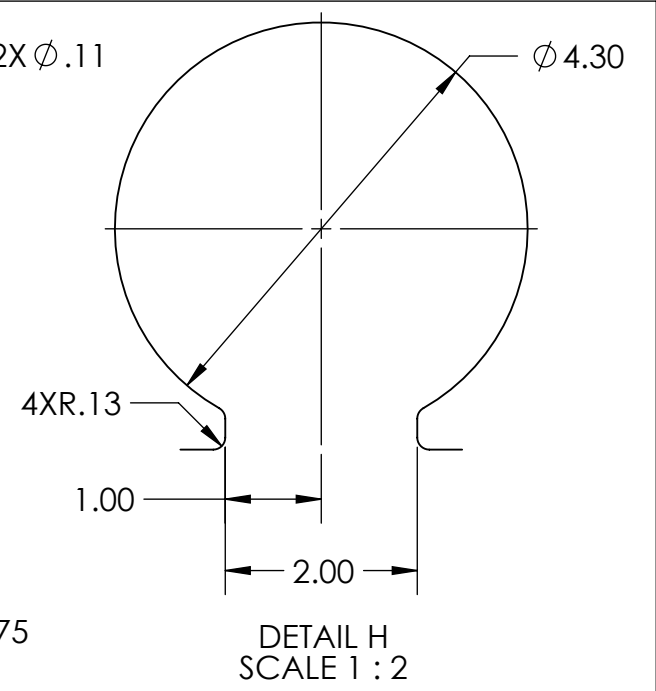
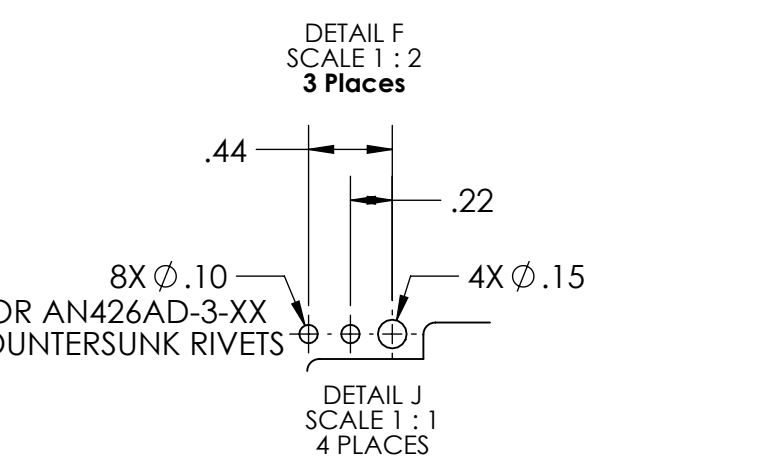
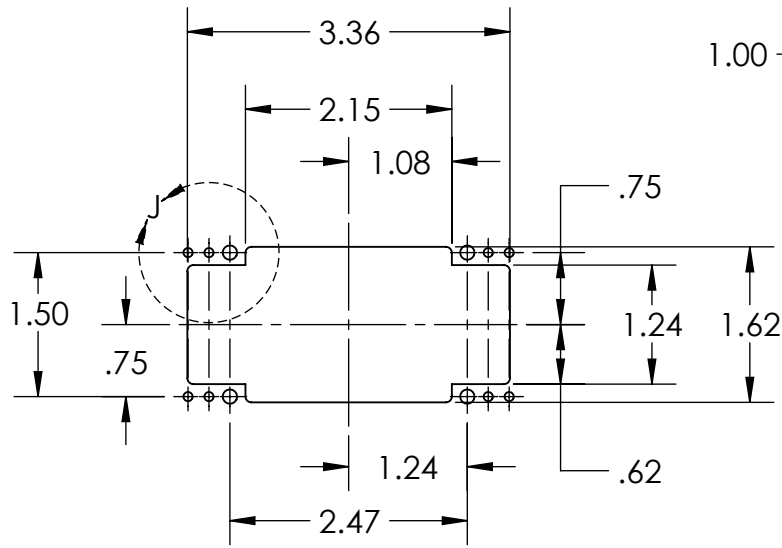
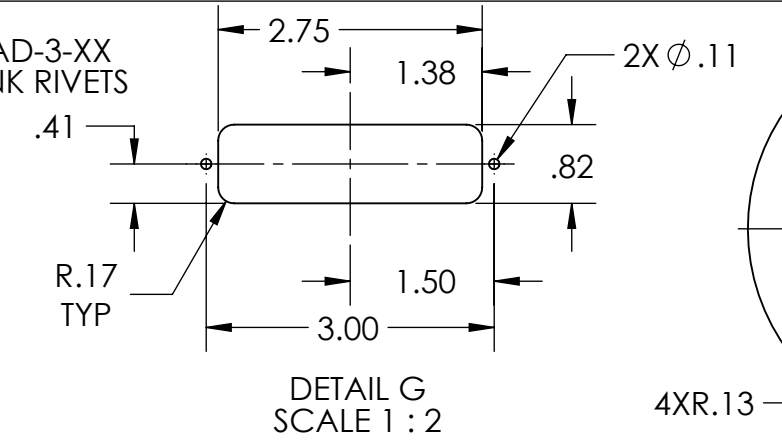
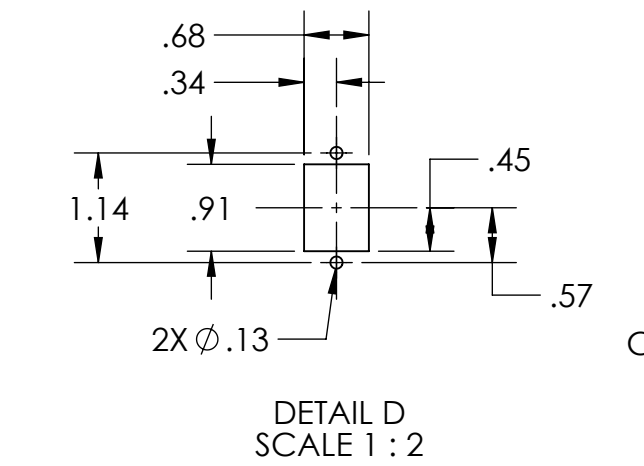
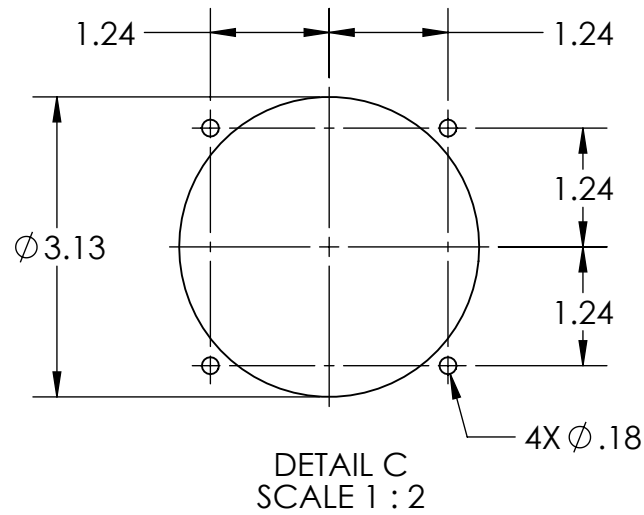
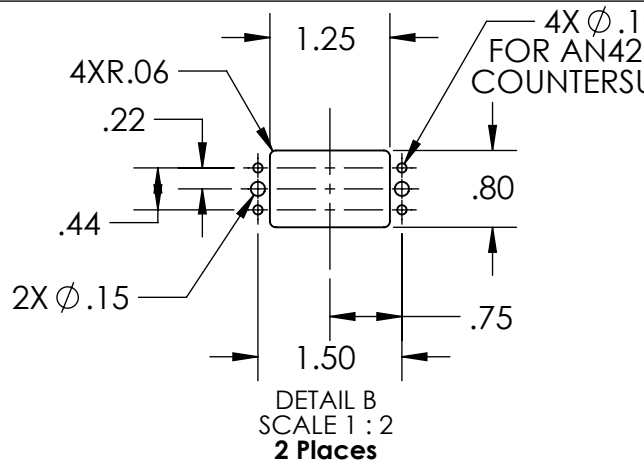


DETAIL E  
SCALE 1 : 2

PANEL LH  
BONANZA V35B  
GENERIC



19825 141st PI NE  
Woodinville, WA 98072  
425-402-0433  
www.dynonavionics.com



PANEL LH  
 BONANZA V35B  
 GENERIC



19825 141st PI NE  
 Woodinville, WA 98072  
 425-402-0433  
 www.dynonavionics.com

7/20/2020

4X  $\phi$ .15

11.30

10.25

7.33

6.38

5.27

4X  $\phi$ .10  
FOR AN426AD-3-XX  
COUNTERSUNK RIVETS

FOR REFERENCE ONLY  
THIS PANEL WAS DESIGNED  
FOR A PARTICULAR AIRCRAFT  
DYNON CAN NOT GUARANTEE  
FITMENT IN OTHER SIMILAR  
AIRCRAFT

11.30

6.38

0

22.80

21.30

14.30

12.80

11.80

1.80

0

2X  $\phi$ .10  
FOR AN426AD-3-XX  
COUNTERSUNK RIVETS

$\phi$ .19

.69

.34

DETAIL K  
SCALE 2 : 3  
4 PLACES

PANEL LH  
BONANZA V35B  
GENERIC



19825 141st PI NE  
Woodinville, WA 98072  
425-402-0433  
www.dynonavionics.com

7/20/2020