

OR REFERENCE ONLY  
THIS PANEL WAS DESIGNED  
FOR A PARTICULAR AIRCRAFT  
DYNON CAN NOT GUARANTEE  
FITMENT IN OTHER SIMILAR  
AIRCRAFT

PANEL MADE FOR:  
MODEL V35B (1974)  
SERIAL # D-9634

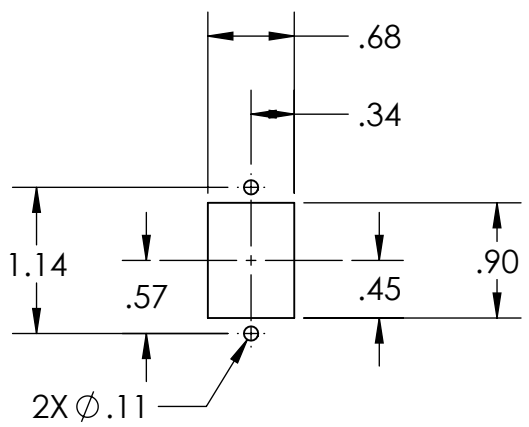
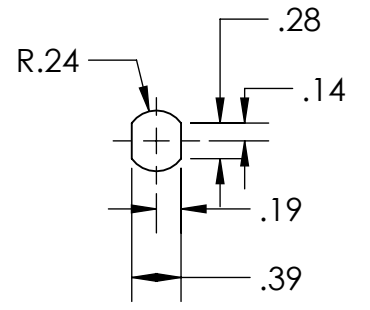
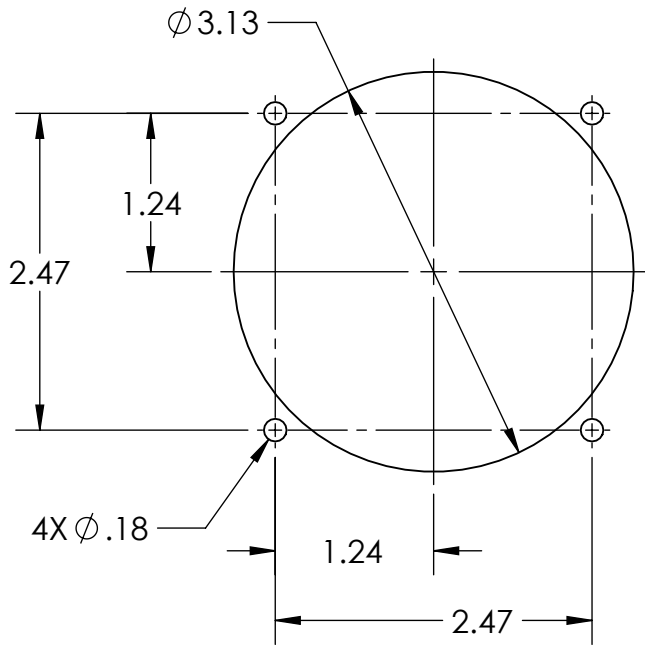
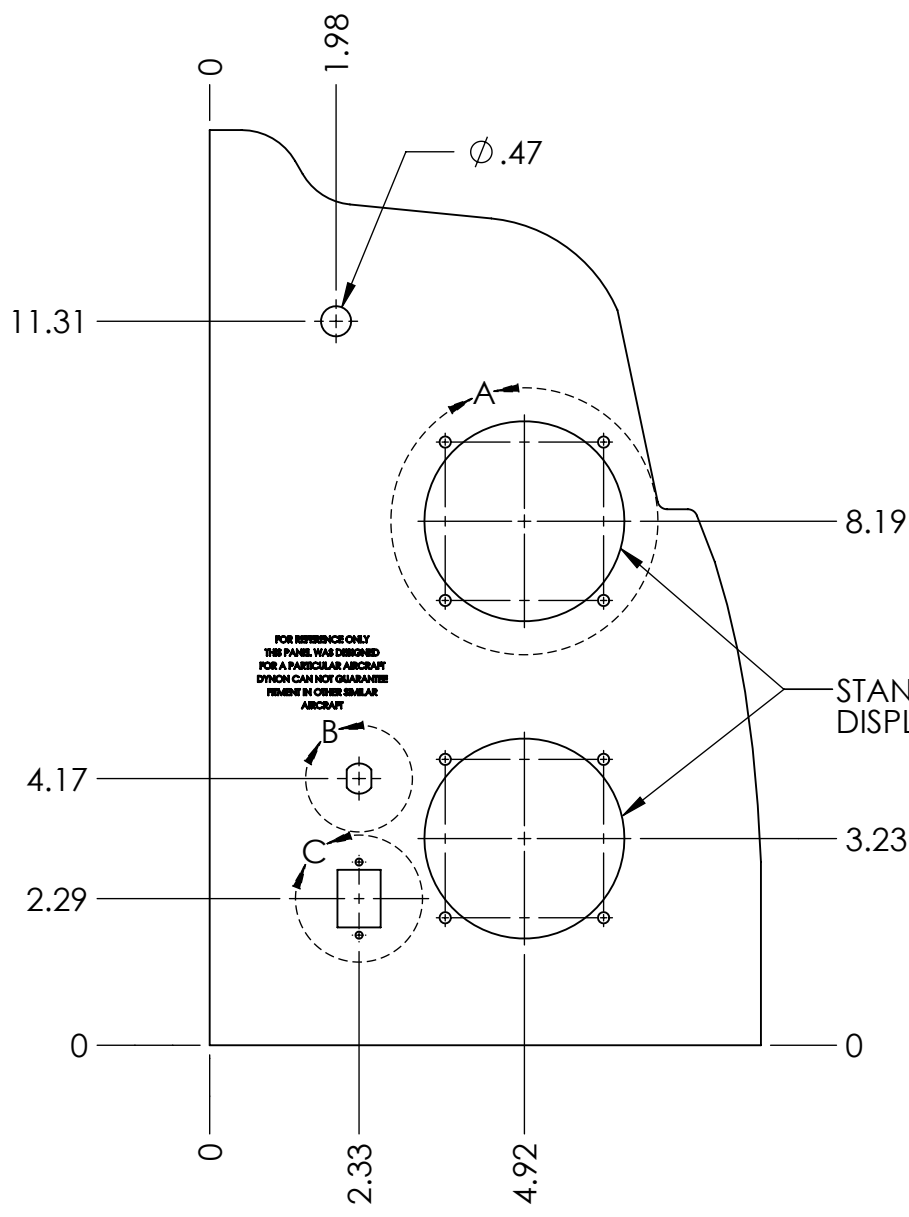
IT IS THE RESPONSIBILITY  
OF THE BUILDER TO ENSURE  
THE CUT-OUT FEATURES INCLUDE  
REQUIRED MARGINS NEEDED  
FOR PAINT OR OTHER FINISHES  
APPLIED TO THE PANEL.  
FINISHES MAY REDUCE THE  
EFFECTIVE SIZE OF THE CUT-OUT

PANEL RH  
BONANZA V35B  
GENERIC



19825 141st PI NE  
Woodinville, WA 98072  
425-402-0433  
www.dynonavionics.com

7/15/2020



PANEL RH  
BONANZA V35B  
GENERIC



19825 141st PI NE  
Woodinville, WA 98072  
425-402-0433  
www.dynonavionics.com